

Honeywell

SMALL PRECISION LIMIT SWITCH

CATALOGUE LISTING
914CE SERIES
CHART MTG-CE-10

914 CE SERIES
CHART MTG-CE-10

M

10

DRAWING
NUMBER

ISSUE

RELEASE NUMBER MEC87/118

REPLACES

REVISIONS

3 MS11135

11/7/88 HW

4 CN14882

18/1/91 PC

5 2.4.93

MS-11818

6 29/9/94

MS11907

7 25/10/94

MS11985

8 23/08/95

CN-16516

9 15/11/08

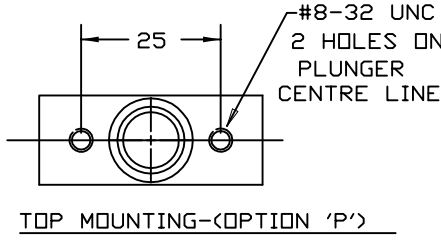
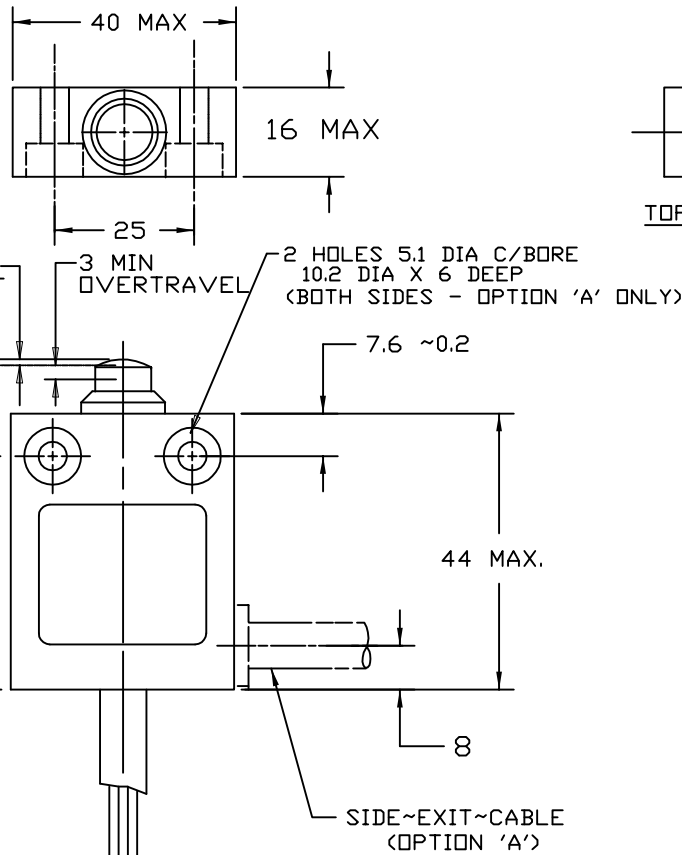
PR.1846

10 0027391

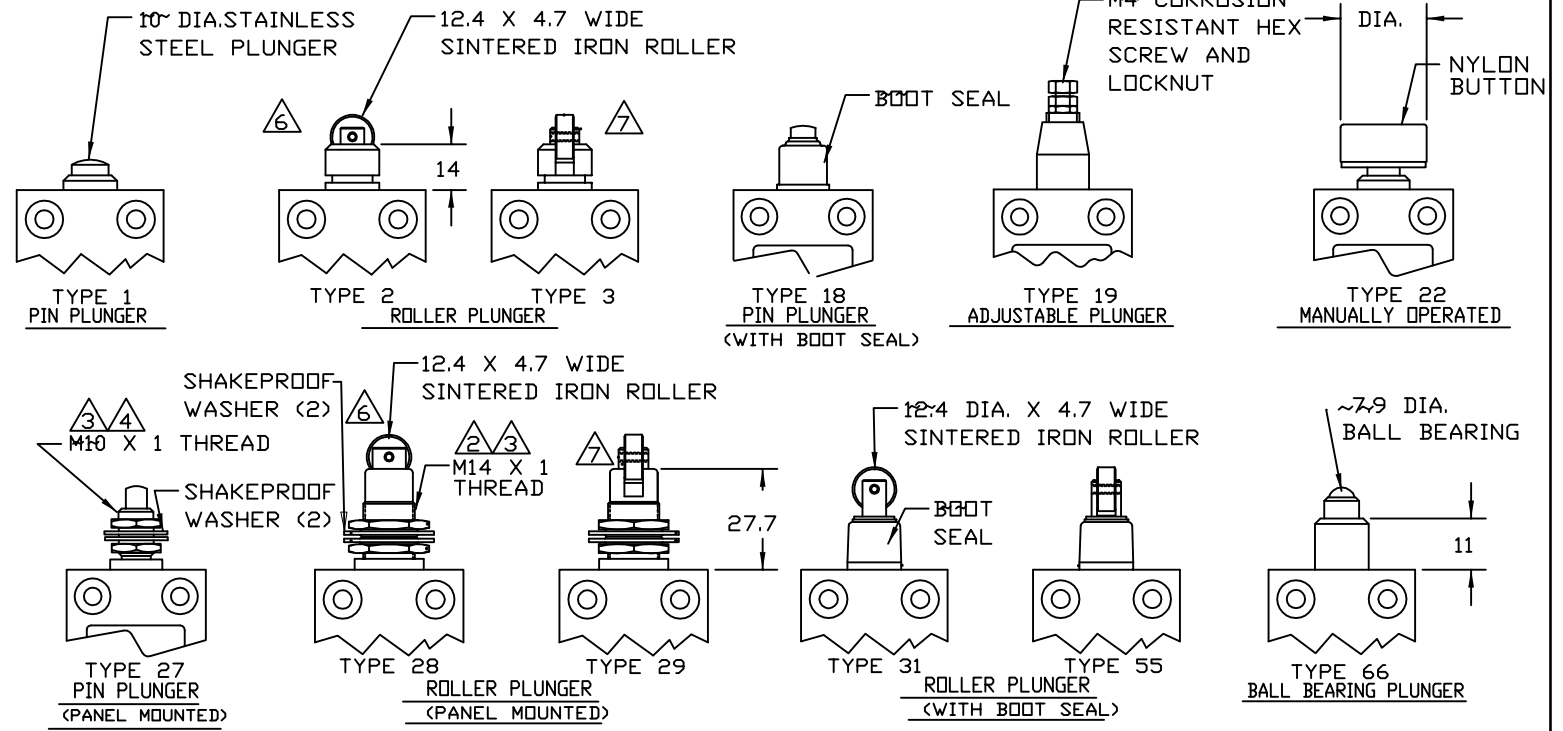
MST 29DEC06

DRAWN/PC 10-11-87

TRACED

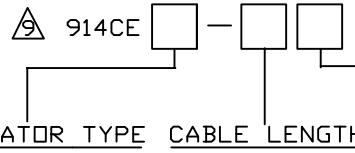


SWITCH TYPE	ISSUE	RELEASE NUMBER	OPTIONS	DIFF. TRAVEL (MAX.)	OPERATING FORCE (MAX)		RELEASE FORCE (MIN)		OPERATING POSITION	MAX FREE LENGTH
					NEWTONS	GMF	NEWTONS	GMF		
914CE1	5	MEC87/118	NONE,A,F,G,P,L1,V	0.1	11.8	1200	4.4	450	15.7±1.0	54
			C.	0.5						
914CE2	5	MEC87/118	NONE,A,F,G,P,L1,V,K	0.1	11.8	1200	4.4	450	28.5±1.0	67
			C.	0.5						
914CE18	5	MEC87/118	NONE,A,F,G,P,L1,V	0.1	22.5	2300	4.4	450	24.9±1.0	63
			C.	0.5						
914CE19	6	MEC87/118	NONE,A,F,G,P,L1,V	0.1	17.5	1800	4.4	450	ADJUSTABLE 32 TO 39	77.4
			C.	0.5						
914CE22	6	MEC87/118	NONE,A,F,G,L1,V	0.1	11.8	1200	3	300	27.4 MAX	64.1
			C.	0.5						
914CE27	5	MEC87/118	NONE,A,F,G,L1,V	0.1	11.8	1200	4.4	450	29.3±1.0	67.2
			C.	0.5						
914CE28	5	MEC87/118	NONE,A,F,G,L1,V	0.1	11.8	1200	4.4	450	42.5±1.0	81
			C.	0.5						
914CE31	3	MS-11125	NONE,A,F,G,P,L1,V	0.1	22.5	2300	4.4	450	34.4±1.0	73
			C.	0.5						
914CE55	2	MEC87/118	NONE,A,F,G,P,L1,V	0.1	11.8	1200	4.4	450	24.4±1.0	63
			C.	0.5						



CATALOGUE LISTING CONVENTION

OPTIONS CAN BE COMBINED WITHIN LOGICAL LIMITS (EG 914CE2-3AK)



ACTUATOR TYPE	CABLE LENGTH	OPTIONS
1,2,3,18,19,22,27,28	LENGTH IN FEET	A - SIDE ENTRY C - DOUBLE BREAK BASIC F - BIFURCATED GOLD CONTACTS G - GOLD CONTACTS K - NOT TO BE USED FOR NEW APPLICATIONS P - TOP MOUNTING L1 - LOW TEMP. (-40°C) CONSTRUCTION CABLE NOT SUITABLE FOR FLEXING V - 'VITON' SEALS
29,31,55 OR 66		

NOTES:-

- 1 : DIE CAST HOUSING FINISHED IN GREY PAINT
- 2 : SWITCH MOUNTS THROUGH A 14,5 DIA HOLE
- 3 : MAXIMUM PANEL THICKNESS = 4,2
- 4 : SWITCH MOUNTS THROUGH 10,5 DIA HOLE
- 5 : TEMPERATURE RANGE : 0? TO +70? (STANDARD)
- 6 : ROLLER PARALLEL WITHIN 3^TO MOUNTING FACE
- 7 : ROLLER PERPENDICULAR WITHIN 3^TO MOUNTING FACE
- 8 : LOW TEMP. RANGE : -40? TO +70?.
- 9 : ALL LOGICAL LISTINGS ARE IEC 947-5-1 APPROVED EXCEPT: OPTIONS C,F,G.

BASIC SWITCH	ELECTRICAL RATINGS	CIRCUIT DIAGRAM	CABLE
STANDARD SILVER CONTACTS	5A - 250VAC 1/10HP - 125/250VAC	IEC 947-5-1 EN60947-5-1 AC14 D300 DC13 R300	4 X 18 A.W.G. SJTD (UL/CSA APPROVED)
BIFURCATED GOLD - OPTION 'F' OR GOLD CONTACTS - OPTION 'G'	5-25mA , 5-50VDC	S.P.D.T. RED 2 BLACK 1 GREEN 1 WHITE 3	5 CORE P.V.C. SHEATHED (UL LISTED)
DOUBLE BREAK SILVER CONTACTS OPTION - 'C'	5A - 250VAC 1/10HP - 125/250VAC	RED 2 BLACK 3 WHITE 1 BROWN 4 GREEN 1	

THE COPYRIGHT OF THIS DRAWING IS THE PROPERTY OF HONEYWELL LTD. THE DRAWING IS SUPPLIED IN CONFIDENCE AND MUST NOT BE USED FOR ANY PURPOSE OTHER THAN THAT FOR WHICH IT IS SUPPLIED.

THIRD ANGLE PROJECTION
PLOT SCALE 1/1